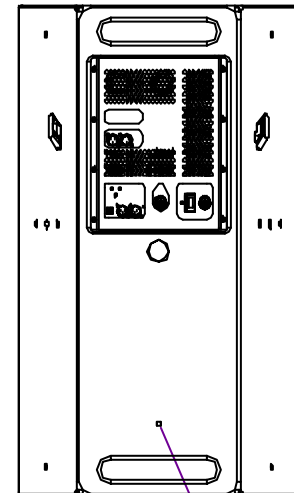
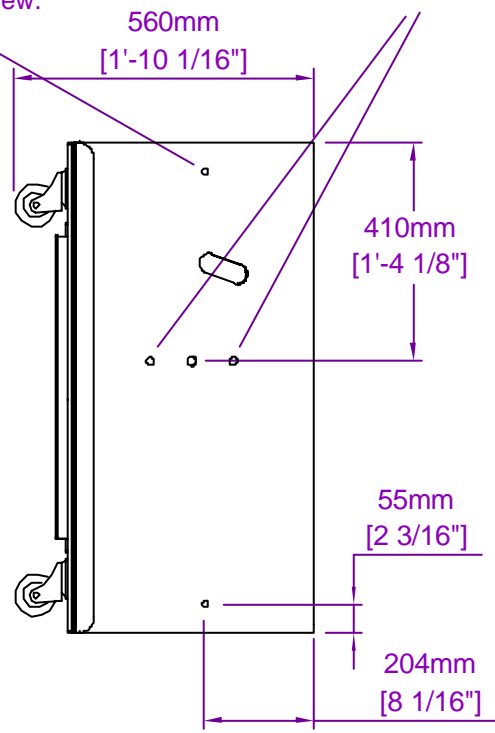
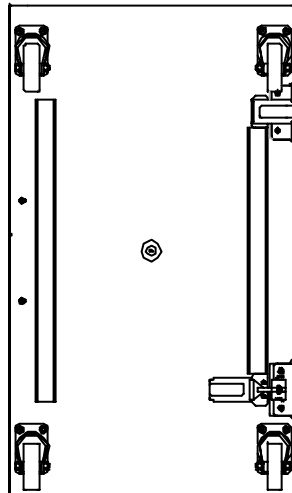


M10 Flypoint fitted with countersunk blanking screw.

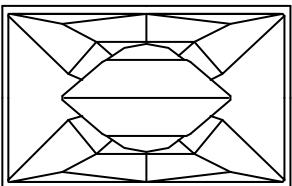
M8 Squaring bracket points fitted with countersunk blanking screw.



M10 Tilt point fitted with countersunk blanking screw.

All dimensions in mm and inches

Copyright Funktion-One Research Ltd 27/01/1999 Last revised 26/11/2007



# FUNKTION-ONE

Hoyle, Horsham Road, Beare Green, Dorking, Surrey, RH5 4PS, England

Phone: +44 (0)1306 712820  
 Fax: +44 (0)1306 711240



mail@funktion-one.com  
 www.funktion-one.com

Product: Resolution 2

Notes: