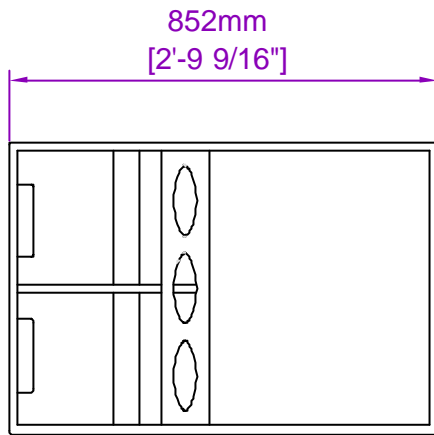


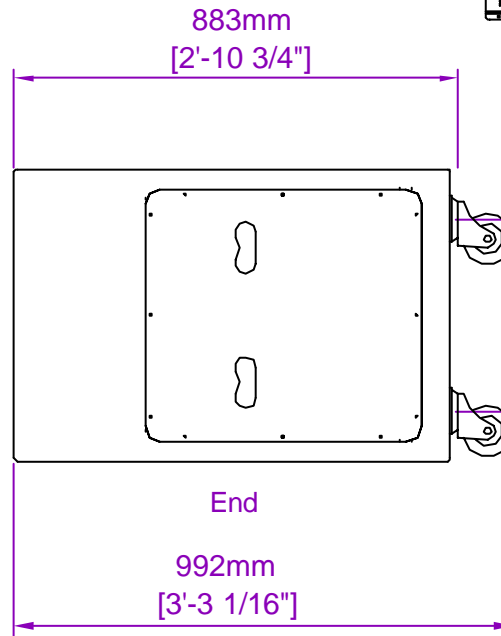
Top



852mm
[2'-9 9/16"]

582mm
[1'-10 15/16"]

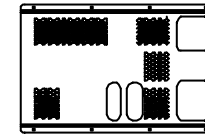
Front



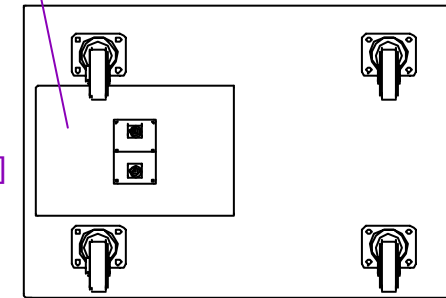
883mm
[2'-10 3/4"]

992mm
[3'-3 1/16"]

End



A6 amplifier module
Can be fitted or retrofitted to any F121 enclosure and will also power a second, standard, F121.

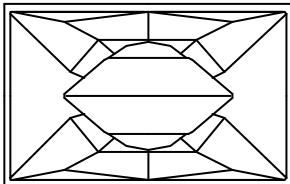


Back

382mm
[1'-3 1/16"]

All dimensions in mm and inches

Copyright Funktion-One Research Ltd 17/08/2006 Last revised 08/01/2008



FUNKTION-ONE

Hoyle, Horsham Road, Beare Green, Dorking, Surrey, RH5 4PS, England

Phone: +44 (0)1306 712820
Fax: +44 (0)1306 711240



mail@funktion-one.com
www.funktion-one.com

Product: F121

Notes: